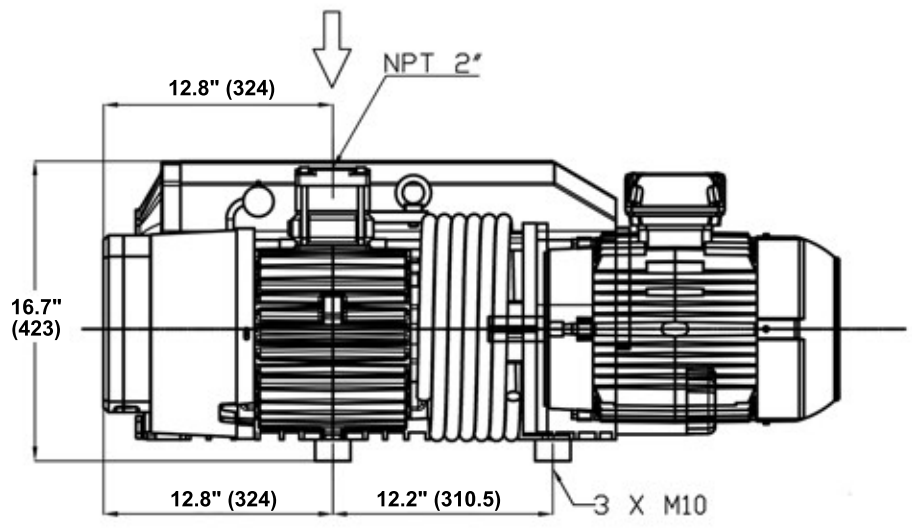
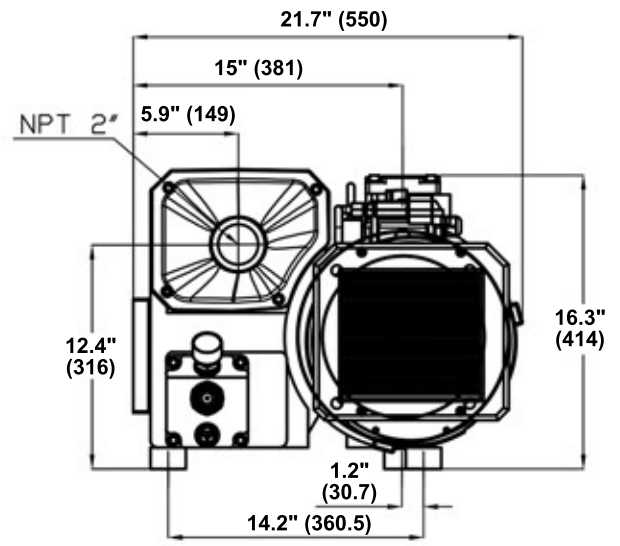
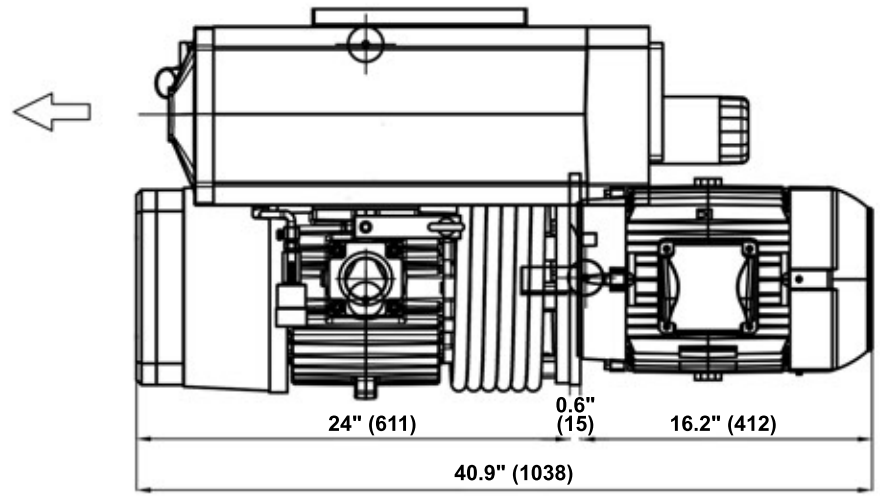
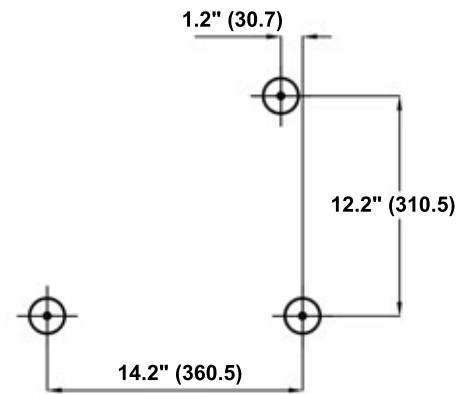


Rev No	Revision note	Date	Signature



NEMA 215TC, 10HP

	Date	Part Number	Description	Unit
	9/5/2014	262994	S12C-N Vacuum Pump	IN (mm)